

Profile

FAN CONVECTOR SERIES

New Product
from **Smith's**
ENVIRONMENTAL



Model PSU 40 Fan Convector

- Quiet efficient operation.
- Delivers up to 40,000 BTUH, the largest unit in our fan convector series.
- Three position fan switch for maximum control.
- Features the E-Z hanger mounting bracket.
- Attractive dove grey baked enamel finish.
- Ideal for dormitories, motels, hospitals or any space where high BTU output is required with only limited wall space.



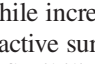
ENVIRONMENTAL PRODUCTS®

Profile Fan Convactor Series

MODEL PSU-40

SUBMITTAL DATA INFORMATION

Application

The PSU-40 utilizes the same attractive styling as the popular **Profile**  Series, while increasing the capacity range to 40,000 BTUH. This attractive surface-mounted unit includes a removable base skirt for flexibility in mounting on a wall, or at floor level.

The three-position max/off/min fan switch and integral aquastat assure maximum control of the heated space. Like the rest of the PSU family, the PSU-40 has a high grade finish in a dove grey baked enamel which may be painted, wallpapered, or marbled in the field.

The PSU-40 brings added flexibility to hard-to-heat areas including offices, dormitories, motels, hospitals, great rooms, sun room additions, or any space where high BTUH output is required with a minimum of wall space.

Engineering Specifications

Construction. All PSU fan convectors are constructed of an internal "Heatpack" section mounted to a well designed back chassis. All components are then enclosed under a shroud (cover) which is made of high grade zinc coated steel painted with a dove grey baked enamel finish.

"Heatpack" Section. A uniquely designed internal component consisting of the coil, fan and motor assembly and all controls integrally mounted.

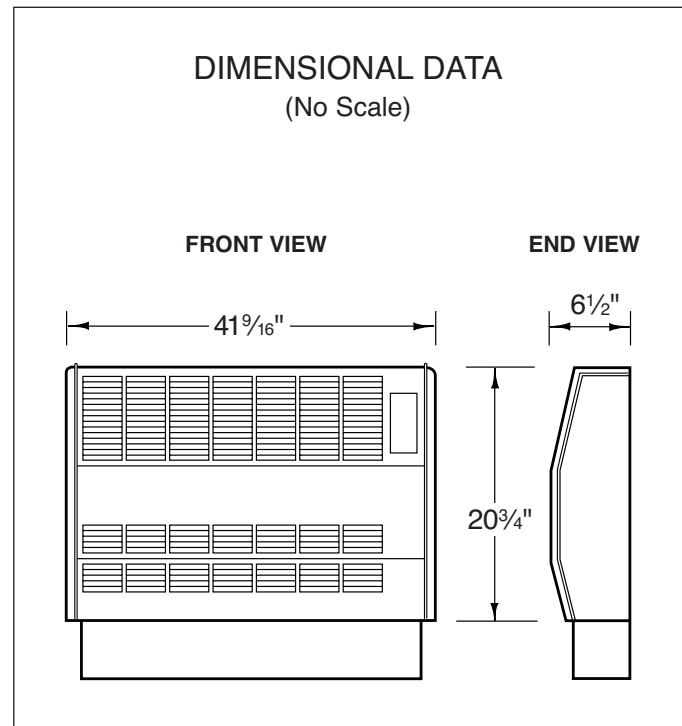
Heat Exchanger. A highly efficient, headered coil, made of copper tubes expanded into smooth aluminum plate fins (10 FPI), tested at 300 PSI, and sealed for quality. The heat exchanger is positioned in each PSU unit for maximum heat transfer over the coil.

Fan and Motor Assembly. High spec tangential SEL fan and motor assembly consists of high static fan wheel and scroll, detachable motor, replaceable "easy glide" sleeve bearings, and the fan and motor cutout are protected to UL/CSA specifications. This fan and motor assembly is designed to run whisper quiet without vibration.

Controls. All PSU units have integral two speed, max/off/min fan switches (optional wall mounted fan speed controller is available). The LTC-low limit aquastat is also a high spec item with a close tolerance designed to close on a rise to 130°F +/-3°F and open at 110°F +/-3°F. For low temperature systems you will have to change out the aquastat located in the main electrical box easily removed from its hold on clip.


Water Connections. Supply and return connections are 3/4" sweat connections located to the left of the unit as you face the grille. A water vent with wide convenient screwdriver slot is accessible with the cover removed.

Electrical Connections. 120/60/1 power supply is required. All that's required is to knock out the junction box hole you want to use and wire to the L1 and L2 leads. There is a convenient one screw access plate on the top of the unit to get at the ground.



The PSU-40 features the **E-Z HANGER** mounting bracket to reduce installation time and enhance serviceability.

Profile Series BTU/Hr Outputs

Capacity for the Profile  Fan Convectors BTU/HR @ 65°F Entering Air											
Model	Fan Speed	Press. Drop (Ft.)	ENTERING WATER TEMPERATURE (Deg. F.) - BTU/Hrs.								
			130°	140°	150°	160°	170°	180°	190°	200°	210°
PSU-40	max.	4.6	16500	19720	21384	23166	25300	29402	31600	35640	40700
	min.		14204	17000	18250	20050	23008	25200	27055	29184	31040

NOTES:

- Capacities are based on 3 GPM correction factor for:
1.0 GPM = 0.85; 5 GPM = 1.18.
- Aquastat set to close on a rise to 130°F and to open on a drop to 110°F. For outputs at 130°F and below optional field mounted 110°F-90°F aquastat is required.
- It is recommended that selections be made at low speed at the desired water temperature.

MODEL	UNIT WEIGHT	WT. PACKED	CUBIC FT./MINUTE	
			MAX.	MIN.
PSU-40	53.56 lbs.	62.86 lbs.	378	275



ENVIRONMENTAL PRODUCTS®

300 Pond St., Randolph, MA 02368 • (781) 986-2525 • Fax (781) 986-8934 • www.smithsenvironmental.com