

# Profile

## FAN CONVECTOR SERIES



## Model PSH-15 “The High Top”

- **Designed for high level mounting over a door.**
- **Quiet efficient operation.**
- **3 position speed switch (normal/off/low)**
- **Delivers up to 15,000 BTUH.**
- **Ideal for garage entries, mudrooms, sun porches, and anywhere wall space is at a premium.**
- **Features the E-Z Hanger mounting bracket.**



**ENVIRONMENTAL PRODUCTS**

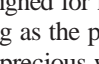
# Profile Fan Convactor Series

# MODEL PSH-15 "The High Top"

## SUBMITTAL DATA INFORMATION

6/1/04

### Application

The High Top is designed for high level mounting. Utilizing the same attractive styling as the popular **Profile ** Series, The High Top helps preserve precious wall space while delivering up to 15,000 BTUH. Its high grade steel cabinet is finished in a dove grey baked enamel which can be field painted, wallpapered or marbleized. The quality SEL fan and motor assembly is known for its quiet operation throughout the Smith's Environmental Product line. Unit control is through a three-position, normal/off/low switch and a high quality aquastat.

Designed to mount over a door, The High Top is ideal for garage entries, mudrooms, sun porches, closets, or anyplace where wall space is at a premium.

### Engineering Specifications

**Construction.** All PSH fan convectors are constructed of an internal "Heatpack" section mounted to a well designed back chassis. All components are then enclosed under a shroud (cover) which is made of high grade zinc coated steel painted with a dove grey baked enamel finish.

**"Heatpack" Section.** A uniquely designed internal component consisting of the coil, fan and motor assembly and all controls integrally mounted.

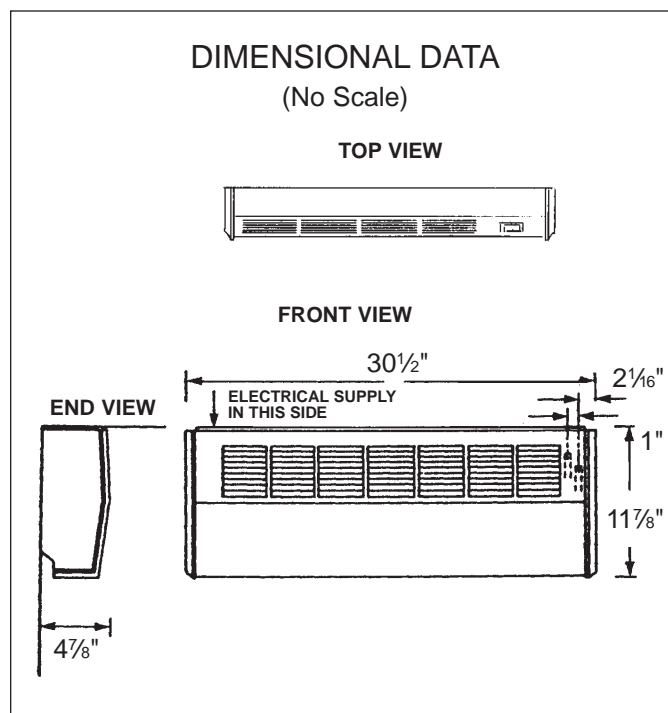
**Heat Exchanger.** A highly efficient, headered coil, made of copper tubes expanded into smooth aluminum plate fins (10 FPI), tested at 300 PSI, and sealed for quality. The heat exchanger is positioned in each PSH unit for maximum heat transfer over the coil.

**Fan and Motor Assembly.** High spec tangential SEL fan and motor assembly consists of high static fan wheel and scroll, detachable motor, replaceable "easy glide" sleeve bearings, and the fan and motor cutout are protected to UL/CSA specifications. This fan and motor assembly is designed to run whisper quiet without vibration.

**Controls.** All PSH units have integral two speed, normal/off/ low fan switches (optional wall mounted fan speed controller is available). The LTC-low limit aquastat is also a high spec item with a close tolerance designed to close on a rise to 130°F +/- 3°F and open at 110°F +/- 3°F. For low temperature systems you will have to change out the aquastat located in the main electrical box easily removed from its hold on clip.

**Water Connections.** Supply and return connections are 1/2" sweat connections located to the right of the unit as you face the grille. A water vent with wide convenient screwdriver slot is accessible through the grille.

**Electrical Connections.** 120/60/1 power supply is required. All that's required is to knock out the junction box hole you want to use and wire to the L1 and L2 leads. There is a convenient one screw access plate on the top of the unit to get at the ground.



### Installation

The High Top features the **E-Z HANGER** mounting bracket to reduce installation time and enhance serviceability.

## Profile Series BTU/Hr Outputs

Capacity for The High Top Fan Convactor BTU/HR @ 65°F Entering Air											
Model	Fan Speed	Press. Drop (Ft.)	ENTERING WATER TEMPERATURE (Deg. F.) - BTU/Hrs.								
			130°	140°	150°	160°	170°	180°	190°	200°	210°
THE HIGH TOP	max.	3.07	3983	5120	6255	7382	8933	10590	12250	14349	15430
	min.		2788	3580	4375	5163	6250	7412	8575	10040	10800

#### NOTES:

- Capacities based on 2gpm correction factors for:  
.5gpm = .80; 1.5gpm = .96; 2.5gpm = 1.07; 3.0gpm = 1.12; and 5gpm = 1.23.
- Aquastat set to close on a rise to 130°F and to open on a drop to 110°F. For outputs at 130°F and below optional field mounted 110°F-90°F aquastat is required.
- It is recommended that selections be made at low speed at the desired water temperature.

MODEL	UNIT WEIGHT	WT. PACKED	CUBIC FT./MINUTE	
			MAX.	MIN.
THE HIGH TOP	21 lbs.	24.5 lbs.	140	100



**ENVIRONMENTAL PRODUCTS**

1875 Dewey Avenue, Benton Harbor, MI 49023 • (269) 925-8818